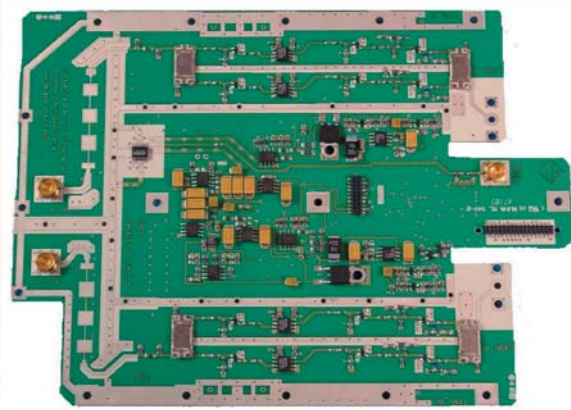


Low Noise Amplifier

Product Name: LNA01

Status:

- In production



Model:

Balanced low noise amplifier (LNA) with adjustable gain designed for UMTS base stations, available as a single or double LNA

Features:

- High gain in UMTS band
- Low noise Figure
- Adjustable gain control
- Temperature and alarm monitoring

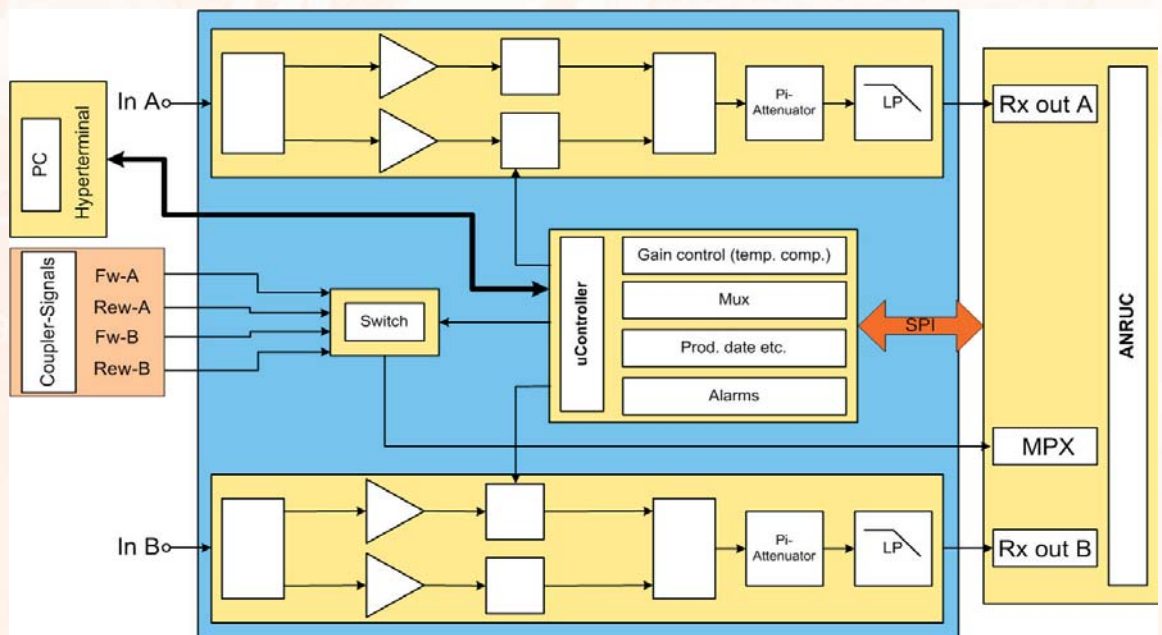
Manufacturer:

- Company name:
Panasonic Electronic Devices Europe GmbH
PEDEU-TC
- Address: Zepelinstrasse 19,
21337 Lüneburg, Germany
- Phone No.: +49-(0)4131-899-311

General:

- Operating voltage 12V +/- 0.5V and +5V
- Current consumption 600mA (typ)
- Operation Temperature -10 to 70 degree C

Block Diagram



elecommunications

Key Devices for Base Stations

Ratings:

Operating Temperature range	-10 ... +70 °C
Storage Temperature range	0 ... +40 °C
Maximum RF Input Power	-10dBm
Operating Voltage	+5V +/- 5%, +12V +/- 10%

Characteristics:

System	Frequency range	Gain	Noise Figure
UMTS	1920 - 1980 MHz	36dB	1dB

Output IP3	Input Return Loss	Output Return Loss	1dB Compression
+20dBm	14dB	18dB	+17dBm

For more information, please contact:

Commercial Contact:

Olaf Bartz

Panasonic Electronic Devices Europe GmbH
PED European Technology Center
Zeppelinstrasse 19,
21337 Lüneburg, Germany

Phone: +49(0)4131 899-311
Fax: +49(0)4131 899-262
E-Mail: olaf.bartz@eu.panasonic.com
Website: www.panasonic-eutc.com

Technical Contact:

Farid Yousif

Panasonic Electronic Devices Europe GmbH
PED European Technology Center
Zeppelinstrasse 19,
21337 Lüneburg, Germany

Phone: +49(0)4131 899-102
Fax: +49(0)4131 899-262
E-Mail: farid.yousif@eu.panasonic.com
Website: www.panasonic-eutc.com

www.panasonic-eutc.com

