

# RF Modulator

## OUTLINES - UCA13PL

RF-Modulator with one RF-Input and one RF-Output.  
Built-in wide-band-booster

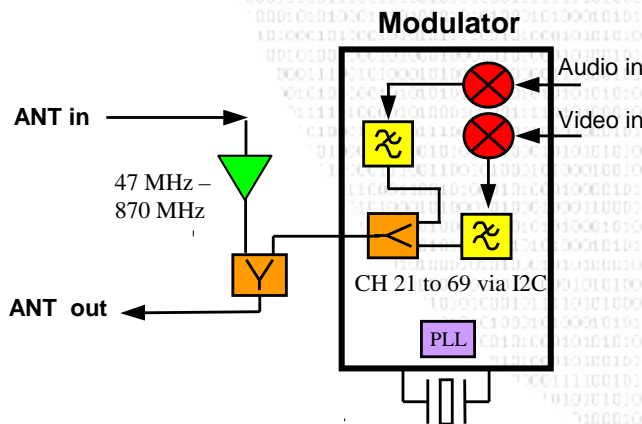
## FEATURES

- Free channel setting (Ch. 21 - Ch. 69)
- High frequency accuracy through built-in PLL
- Motorola RF IC controlled by use of I<sup>2</sup>C bus
- Multistandard PAL / SECAM / NTSC
- Optional test pattern generator
- Supply Voltage 5V only

## APPLICATIONS

Set-Top-Box, DVD-Recorder, HDD, PVR, other Audio Visual Products

## BLOCK DIAGRAM



**HIGH FREQUENCY**  
 Matsushita Electronic Components (Europe) GmbH

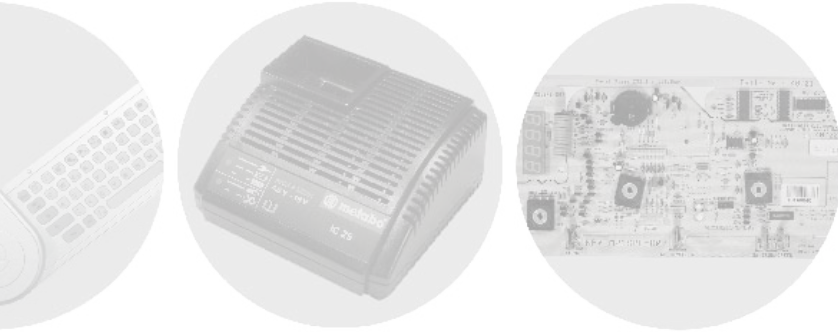
Dipl.-Ing. (FH)  
**Stefan Bandelow**  
 Manager  
 Technology Center  
 High Frequency Products Business Unit

Zeppelinstrasse 19  
 21337 Lüneburg, Germany

Tel. (49)-4131-899-209  
 Fax (49)-4131-899-210  
 s.bandelow@ecom.panasonic.de

## SPECIFICATIONS - UCA13PL

No.	ITEM	UCA13PL PAL / SECAM / NTSC
1	<b>RF-Modulator</b>	
	Supply Voltage	+5V
2	Current Consumption	40mA max.
3	Channel	C.C.I.R. Ch. 21 - 69
4	Input/Output Impedance	75 $\Omega$ unbalanced
5	Video Carrier Output Level	71dB $\mu$ V typ.
6	Video S/N	43dB min.
7	Audio S/N	40dB min.
8	Audio Distortion	2% max.
9	<b>ANT-Booster</b>	
	Supply Voltage	+5V
10	Current Consumption	50mA max.
11	Gain RFin - RFout	3dB typ.
12	NF RFin - RFout	10dB max.
13	VSWR RFin RFout	3,0 max. 3,0 max.



## CONTACT

Dipl.-Ing. (FH)

**Stefan Bandelow**

Manager

Technology Center

High Frequency Products Business Unit

Zeppelinstrasse 19

21337 Lüneburg, Germany

Tel. (49)-4131-899-209

Fax (49)-4131-899-210

s.bandelow@ecom.panasonic.de

## DIMENSIONS

UCA13PL